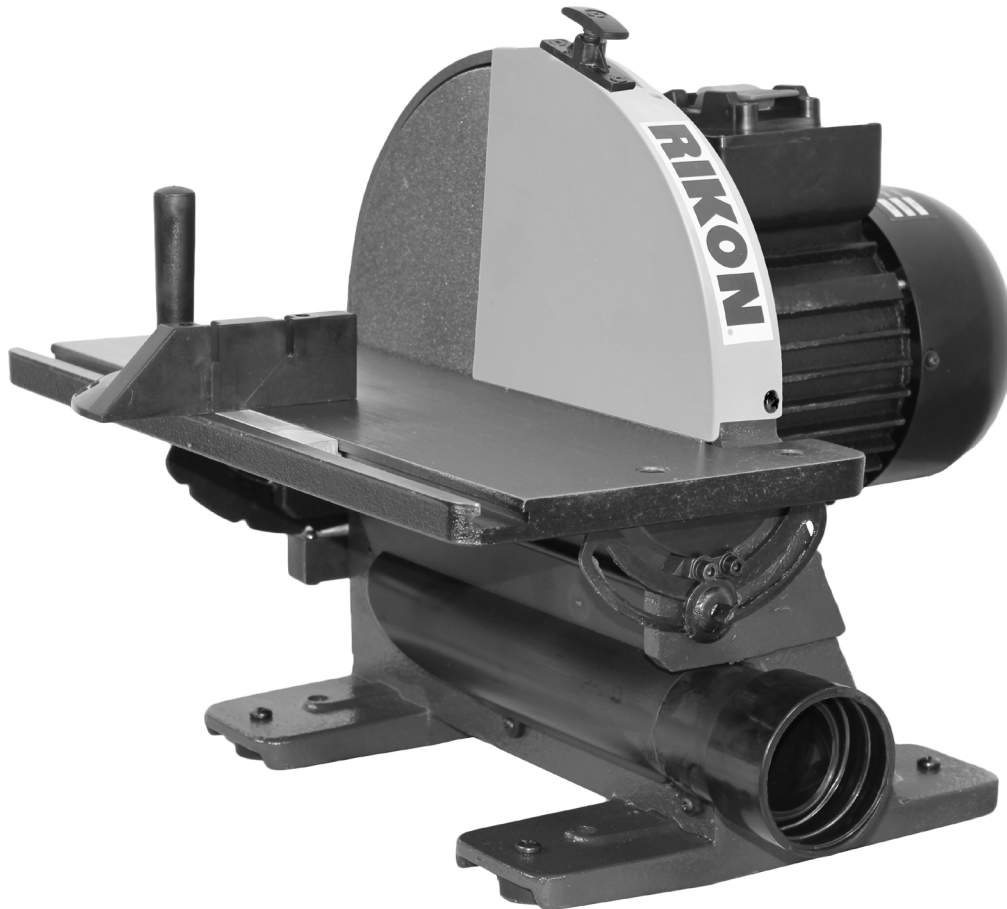


# 12" Benchtop Disc Sander



## Operator's Manual

Record the serial number and date of purchase in your manual for future reference.

Serial Number: \_\_\_\_\_ Date of purchase: \_\_\_\_\_

For technical support or parts questions, email [techsupport@rikontools.com](mailto:techsupport@rikontools.com) or call toll free at (877)884-5167

## TABLE OF CONTENTS

Specifications .....	2
Safety Warnings.....	3-6
Electrical Requirements .....	5
Sander Safety Rules .....	6
Contents of Package .....	7
Assembly/Adjustments.....	8-9
Operation.....	9-10
Troubleshooting.....	11
Parts Diagram.....	12
Parts List .....	13
Wiring Diagram.....	14
Accessories .....	14
Notes .....	14
Warranty .....	15

## SPECIFICATIONS

Motor .....	1/2 HP
Amps .....	6
Volts .....	120V, 60 Hz
Disc Diameter .....	12" PSA
Speed .....	1,720 RPM
Table Size (LxW) .....	17-1/8" x 6-1/2"
Table Tilt .....	45° Up and Down
Miter Gauge .....	Included
Miter Gauge 'T' Slot .....	3/8" x 3/4"
Dust Outlet .....	2-1/4" I.D. or 2-1/2" O.D.
Height .....	16"
Width .....	19"
Depth .....	16-1/4"
Base Size (LxW) .....	12-5/8" x 11"
Net Weight .....	62 Lbs.
Shipping Weight .....	72 Lbs.
Shipping Carton .....	21" x 18" x 17-1/4"

**NOTE:** The specifications, photographs, drawings and information in this manual represent the current model when the manual was prepared. Changes and improvements may be made at any time, with no obligation on the part of Rikon Power Tools, Inc. to modify previously delivered units. Reasonable care has been taken to ensure that the information in this manual is correct, to provide you with the guidelines for the proper safety, assembly and operation of this machine.

# SAFETY INSTRUCTIONS

**IMPORTANT!** Safety is the single most important consideration in the operation of this equipment. **The following instructions must be followed at all times.** Failure to follow all instructions listed below may result in electric shock, fire, and/or serious personal injury.

There are certain applications for which this tool was designed. We strongly recommend that this tool not be modified and/or used for any other application other than that for which it was designed. If you have any questions about its application, do not use the tool until you have contacted us and we have advised you.

## SAFETY SYMBOLS



**SAFETY ALERT SYMBOL:** Indicates DANGER, WARNING, or CAUTION. This symbol may be used in conjunction with other symbols or pictographs.



Indicates an imminently hazardous situation, which, if not avoided, could result in death or serious injury.



Indicates a potentially hazardous situation, which, if not avoided, could result in death or serious injury.



Indicates a potentially hazardous situation, which, if not avoided, could result in minor or moderate injury.

**NOTICE:** Shown without Safety Alert Symbol indicates a situation that may result in property damage.

## GENERAL SAFETY

**KNOW YOUR POWER TOOL.** Read the owner's manual carefully. Learn the tool's applications, work capabilities, and its specific potential hazards.

### BEFORE USING YOUR MACHINE

To avoid serious injury and damage to the tool, read and follow all of the Safety and Operating Instructions before operating the machine.

1. Some dust created by using power tools contains chemicals known to the State of California to cause cancer, birth defects, or other reproductive harm.

Some examples of these chemicals are:

- Lead from lead-based paints.
- Crystalline silica from bricks, cement, and other masonry products.
- Arsenic and chromium from chemically treated lumber.

Your risk from these exposures varies, depending on how often you do this type of work. To reduce your exposure to these chemicals: work in a well ventilated area and work with approved safety equipment, such as those dust masks that are specially designed to filter out microscopic particles.

2. **READ** the entire Owner's Manual. **LEARN** how to use the tool for its intended applications.

3. **GROUND ALL TOOLS.** If the tool is supplied with a 3 prong plug, it must be plugged into a 3-contact electrical receptacle. The 3rd prong is used to ground the tool and provide protection against accidental electric shock. **DO NOT** remove the 3rd prong. See Grounding Instructions on the following pages.

4. **AVOID A DANGEROUS WORKING ENVIRONMENT.** **DO NOT** use electrical tools in a damp environment or expose them to rain.

5. **DO NOT** use electrical tools in the presence of flammable liquids or gasses.

6. **ALWAYS** keep the work area clean, well lit, and organized. **DO NOT** work in an environment with floor surfaces that are slippery from debris, grease, and wax.

7. **KEEP VISITORS AND CHILDREN AWAY. DO NOT** permit people to be in the immediate work area, especially when the electrical tool is operating.

8. **DO NOT FORCE THE TOOL** to perform an operation for which it was not designed. It will do a safer and higher quality job by only performing operations for which the tool was intended.

9. **WEAR PROPER CLOTHING. DO NOT** wear loose clothing, gloves, neckties, or jewelry. These items can get caught in the machine during operations and pull the operator into the moving parts. The user must wear a protective cover on their hair, if the hair is long, to prevent it from contacting any moving parts.

10. **CHILDPROOF THE WORKSHOP AREA** by removing switch keys, unplugging tools from the electrical receptacles, and using padlocks.

11. **ALWAYS UNPLUG THE TOOL FROM THE ELECTRICAL RECEPTACLE** when making adjustments, changing parts or performing any maintenance.

## SAFETY INSTRUCTIONS

**12. KEEP PROTECTIVE GUARDS IN PLACE AND IN WORKING ORDER.**

**13. AVOID ACCIDENTAL STARTING.** Make sure that the power switch is in the “OFF” position before plugging in the power cord to the electrical receptacle.

**14. REMOVE ALL MAINTENANCE TOOLS** from the immediate area prior to turning “ON” the machine.

**15. USE ONLY RECOMMENDED ACCESSORIES.** Use of incorrect or improper accessories could cause serious injury to the operator and cause damage to the tool. If in doubt, check the instruction manual that comes with that particular accessory.

**16. NEVER LEAVE A RUNNING TOOL UNATTENDED.** Turn the power switch to the “OFF” position. **DO NOT** leave the tool until it has come to a complete stop.

**17. DO NOT STAND ON A TOOL.** Serious injury could result if the tool tips over, or you accidentally contact the tool.

**18. DO NOT** store anything above or near the tool where anyone might try to stand on the tool to reach it.

**19. MAINTAIN YOUR BALANCE. DO NOT** extend yourself over the tool. Wear oil resistant rubber soled shoes. Keep floor clear of debris, grease, and wax.

**20. MAINTAIN TOOLS WITH CARE.** Always keep tools clean and in good working order. Keep all blades and tool bits sharp, dress grinding wheels and change other abrasive accessories when worn.

**21. EACH AND EVERY TIME, CHECK FOR DAMAGED PARTS PRIOR TO USING THE TOOL.** Carefully check all guards to see that they operate properly, are not damaged, and perform their intended functions. Check for alignment, binding or breaking of moving parts. A guard or other part that is damaged should be immediately repaired or replaced.

**22. DO NOT OPERATE TOOL WHILE TIRED, OR UNDER THE INFLUENCE OF DRUGS, MEDICATION OR ALCOHOL.**

**23. SECURE ALL WORK.** Use clamps or jigs to secure the work piece. This is safer than attempting to hold the work piece with your hands.

**24. STAY ALERT, WATCH WHAT YOU ARE DOING, AND USE COMMON SENSE WHEN OPERATING A POWER TOOL.**

A moment of inattention while operating power tools may result in serious personal injury.

**25. ALWAYS WEAR A DUST MASK TO PREVENT INHALING DANGEROUS DUST OR AIRBORNE PARTICLES,** including wood dust, crystalline silica dust and asbestos dust. Direct particles away from face and body. Always operate tool in well ventilated area and provide for proper dust removal. Use dust collection system wherever possible. Exposure to the dust may cause serious and permanent respiratory or other injury, including silicosis (a serious lung disease), cancer, and death. Avoid breathing the dust, and avoid prolonged contact with dust. Allowing dust to get into your mouth or eyes, or lay on your skin may promote absorption of harmful material. Always use properly fitting NIOSH/OSHA approved respiratory protection appropriate for the dust exposure, and wash exposed areas with soap and water.

**26. USE A PROPER EXTENSION CORD IN GOOD CONDITION.** When using an extension cord, be sure to use one heavy enough to carry the current your product will draw. The table on the following page shows the correct size to use depending on cord length and nameplate amperage rating. If in doubt, use the next heavier gauge. The smaller the gauge number, the larger diameter of the extension cord. If in doubt of the proper size of an extension cord, use a shorter and thicker cord. An undersized cord will cause a drop in line voltage resulting in a loss of power and overheating.  
**USE ONLY A 3-WIRE EXTENSION CORD THAT HAS A 3-PRONG GROUNDING PLUG AND A 3-POLE RECEPTACLE THAT ACCEPTS THE TOOL’S PLUG.**

**27. ADDITIONAL INFORMATION** regarding the safe and proper operation of this product is available from:

- Power Tool Institute  
1300 Summer Avenue  
Cleveland, OH 44115-2851  
[www.powertoolinstitute.org](http://www.powertoolinstitute.org)
- National Safety Council  
1121 Spring Lake Drive  
Itasca, IL 60143-3201  
[www.nsc.org](http://www.nsc.org)
- American National Standards Institute  
25 West 43rd Street, 4th Floor  
New York, NY 10036  
[www.ansi.org](http://www.ansi.org)
- ANSI 01.1 Safety Requirements for Woodworking Machines and the U.S. Department of Labor regulations  
[www.osha.gov](http://www.osha.gov)

**28. SAVE THESE INSTRUCTIONS.** Refer to them frequently and use them to instruct others.

# SAFETY INSTRUCTIONS

## ELECTRICAL SAFETY

**⚠ WARNING:** THIS TOOL MUST BE GROUNDED WHILE IN USE TO PROTECT THE OPERATOR FROM ELECTRIC SHOCK.

**IN THE EVENT OF A MALFUNCTION OR BREAKDOWN,** grounding provides the path of least resistance for electric current and reduces the risk of electric shock. This tool is equipped with an electric cord that has an equipment grounding conductor and requires a grounding plug (not included). The plug **MUST** be plugged into a matching electrical receptacle that is properly installed and grounded in accordance with **ALL** local codes and ordinances.

**DO NOT MODIFY ANY PLUG.** If it will not fit the electrical receptacle, have the proper electrical receptacle installed by a qualified electrician.

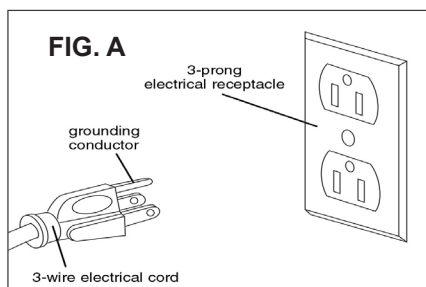
**IMPROPER ELECTRICAL CONNECTION** of the equipment grounding conductor can result in risk of electric shock. The conductor with the green insulation (with or without yellow stripes) is the equipment grounding conductor. **DO NOT** connect the equipment grounding conductor to a live terminal if repair or replacement of the electric cord or plug is necessary.

**CHECK** with a qualified electrician or service personnel if you do not completely understand the grounding instructions, or if you are not sure the tool is properly grounded when installing or replacing a plug.

**USE ONLY A 3-WIRE EXTENSION CORD THAT HAS THE PROPER TYPE OF A 3-PRONG GROUNDING PLUG THAT MATCHES THE MACHINE'S 3-PRONG PLUG AND ALSO THE 3-POLE RECEPTACLE THAT ACCEPTS THE TOOL'S PLUG. \***

**REPLACE A DAMAGED OR WORN CORD IMMEDIATELY.**

This tool is intended for use on a circuit that has an electrical receptacle as shown in **FIGURE A**. It shows a 3-wire electrical plug and electrical receptacle that has a grounding conductor. If a properly grounded electrical receptacle is not available, an adapter as shown in **FIGURE B** can be used to temporarily connect this plug to a 2-contact ungrounded receptacle. The adapter has a rigid lug extending from it that **MUST** be connected to a permanent earth ground, such as a properly grounded receptacle box. **THIS ADAPTER IS PROHIBITED IN CANADA.**



## EXTENSION CORDS

**⚠ WARNING:** THE USE OF AN EXTENSION CORD WITH THIS MACHINE IS NOT RECOMMENDED. For best power and safety, plug the machine directly into a dedicated, grounded electrical outlet that is within the supplied cord length of the machine.

If an extension cord needs to be used, it should only be for a limited operation of the machine. The extension cord should be as short as possible in length, and have a minimum gauge size of 14AWG.

**⚠ WARNING:** Check extension cords before each use. If damaged replace immediately. Never use a tool with a damaged cord, since touching the damaged area could cause electrical shock, resulting in serious injury.

Use a proper extension cord. Only use cords listed by Underwriters Laboratories (UL). Other extension cords can cause a drop in line voltage, resulting in a loss of power and overheating of tool. When operating a power tool outdoors, use an outdoor extension cord marked "W-A" or "W". These cords are rated for outdoor use and reduce the risk of electric shock.

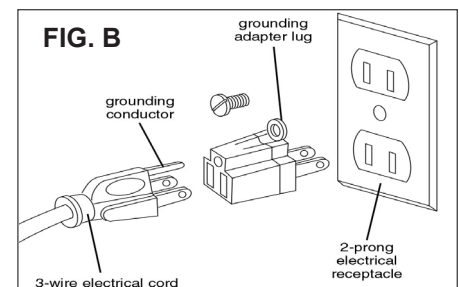
### MINIMUM RECOMMENDED GAUGE FOR EXTENSION CORDS (AWG)

120 VOLT OPERATION ONLY				
	25' LONG	50' LONG	100' LONG	150' LONG
0 to 6 Amps	18 AWG	16 AWG	16 AWG	14 AWG
6 to 10 Amps	18 AWG	16 AWG	14 AWG	12 AWG
10 to 12 Amps	16 AWG	16 AWG	14 AWG	12 AWG

**⚠ WARNING:** Keep the extension cord clear of the working area. Position the cord so that it will not get caught on lumber, tools or other obstructions while you are working with your power tool.

\* Canadian electrical codes require extension cords to be certified SJT type or better.

\*\* The use of an adapter in Canada is not acceptable.





# SAFETY INSTRUCTIONS

## SPECIFIC SAFETY INSTRUCTIONS FOR SANDERS

This machine is intended for the surfacing of natural, solid woods and composite materials. Any other use not as specified, including modification of the machine or use of parts not tested and approved by the equipment manufacturer can cause unforeseen damage, and invalidate the warranty.

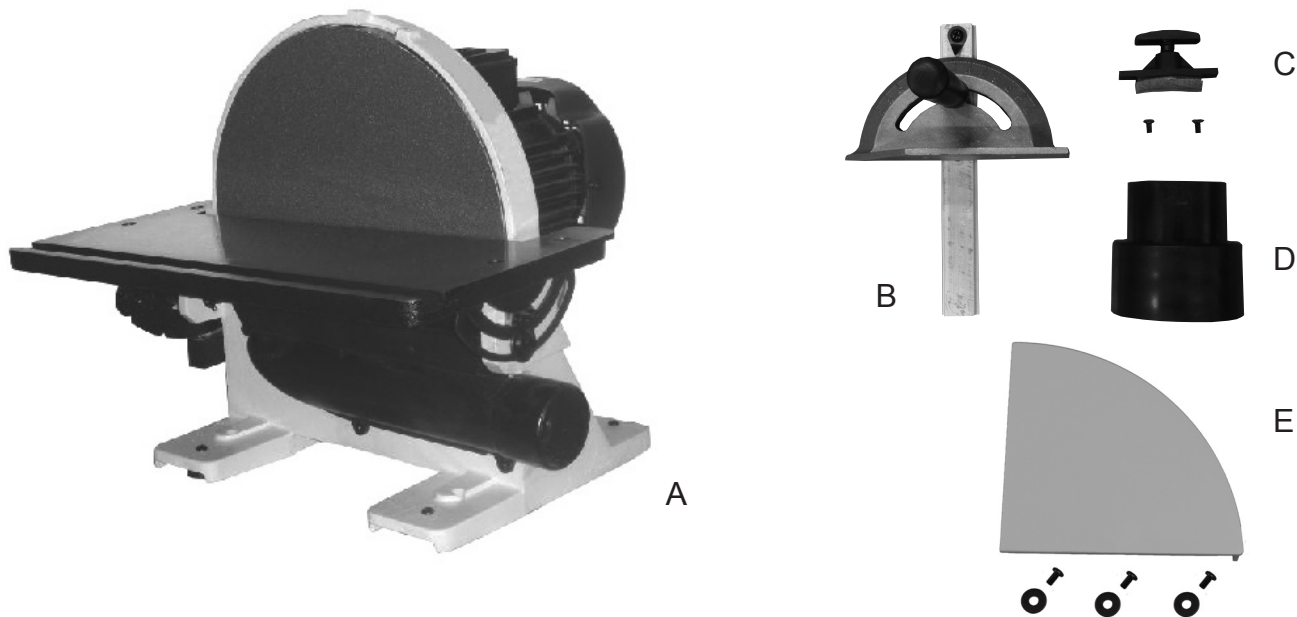
**ATTENTION:** Use of this sander still presents risks that cannot be eliminated by the manufacturer. Therefore, the user must be aware that wood working machines are dangerous if not used with care and all safety precautions are adhered to.

1. Do not operate this machine until you have read all of the following instructions.
2. Do not attempt to operate this machine until it is completely assembled.
3. Do not turn ON this machine if any pieces are missing.
4. If you are not familiar with the operation of the machine, obtain assistance from a qualified person.
5. It is highly recommended that this machine be mounted to a flat and secure work surface or stand.
6. Always wear protective eye wear and hearing protection when operating this machine.
7. Do not operate this machine if you are under the influence of drugs, alcohol or medication.
8. Do not wear loose clothing or jewelry when operating this machine. Tie back long hair.
9. Do not wear any gloves while operating this machine.
10. Always make sure the power switch is in the OFF position prior to plugging in the machine.
11. Always make sure the power switch is in the OFF position and the machine is unplugged when doing any cleaning, assembly, setup operations, or when not in use.
12. Always wear a dust mask and use adequate dust collection and proper ventilation. Use of sanders can produce harmful particles while sanding certain types of woods.
13. The use of any accessories or attachments not recommended may cause injury to you and damage your machine.
14. This machine must be properly grounded.
15. Abrasive discs should be the recommended diameter of the manufacturer.
16. Replace worn, frayed or torn abrasives as injury to the user, or the machine, may result.
17. Always keep your face and hands clear of moving parts such as discs, belts and pulleys.
18. Keep power supply cords free of moving parts of the sander. Damaged cords can result in electric shock.
19. Maintain a 1/16" clearance between the sanding disc and table.
20. Always support the workpiece with the table.
21. Remove material or debris from the work area. Keep work area neat and clean.

**SAVE THESE INSTRUCTIONS.  
Refer to them often.**

**This owner's manual is not a teaching aid and is intended to show  
assembly, adjustments, and general use.**

## CONTENTS OF PACKAGE



A Sander

B Miter Gauge

C Disc Brake & Mounting Screws

D Dust Port

E Disc Guard & Mounting Screws

F Manual & Warranty Card (not shown)

**NOTE:** Pending packaging changes at the factory, some parts may already be pre-assembled on the machine. The assembly steps listed should none-the-less be reviewed for information on the machine parts and their adjustments.

### UNPACKING AND CLEAN-UP

1. Carefully remove all contents from the shipping carton. Compare the contents with the list of contents to make sure that all of the items are accounted for, before discarding any packing material. Place parts on a protected surface for easy identification and assembly. If any parts are missing or broken, please call RIKON Customer Service (877-884-5167) as soon as possible for replacements. **DO NOT** turn your machine ON if any of these items are missing. You may cause injury to yourself or damage to the machine.
2. Report any shipping damage to your local distributor.
3. Clean all rust protected surfaces with ordinary house hold type grease or spot remover. Do not use; gasoline, paint thinner, mineral spirits, etc. These may damage painted surfaces.
4. Apply a coat of paste wax to the table to prevent rust. Wipe all parts thoroughly with a clean dry cloth.
5. Set packing material and shipping carton aside. Do not discard until the machine has been set up and is running properly.

**CALIFORNIA PROPOSITION 65 WARNING:** Some dust created by power sanding, sawing, grinding, drilling, and other construction activities contains chemicals known to the State of California to cause cancer and birth defects or other reproductive harm. Your risk from exposure to these chemicals varies, depending on how often you do this type of work. To reduce your exposure, work in a well-ventilated area and with approved safety equipment, such as dust masks that are specially designed to filter out microscopic particles.

For more detailed information about California Proposition 65 log onto [rikontools.com](http://rikontools.com).

## ASSEMBLY

### SECURING SANDER TO A WORKBENCH

The sander base must be secured before using. Attach a large C-Clamp to each side of the sander and the workbench. Or, permanently mount following the instructions below:

1. Place the sander on the workbench in its final operating location.
2. Place a pencil through the mounting holes of the sander base and mark the hole locations on workbench.
3. Remove sander and drill four 3/8" holes through the workbench.
4. Align sander base over holes and secure using four 5/16" screws (or larger) and hex nuts. (See Fig. 01)

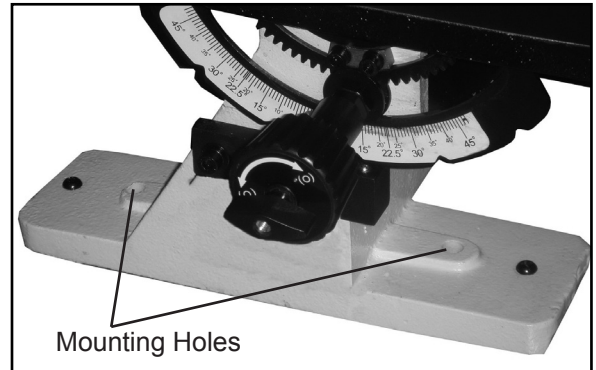


Fig. 01

### TABLE ADJUSTMENTS

The table stops have been pre-set at the factory. Follow the steps below if adjustments are needed.

1. Loosen lock knob (Fig. 02) and move table into the 90-degree position. Tighten lock knob and place a square against the table and sander disc. The square should rest flat against the table and the disc.
2. If adjustment is needed move the table so that it rests 90 degrees from the table, and loosen the two adjusting nuts (Fig. 03) on the stop bar and slide bar left or right for the proper adjustment. Once the proper adjustment is made tighten the two adjusting nuts on the stop bar.

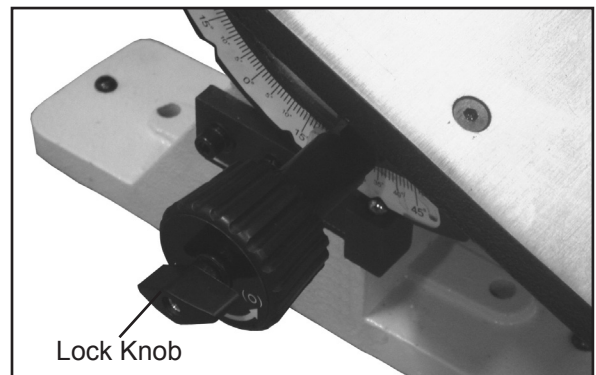


Fig. 02

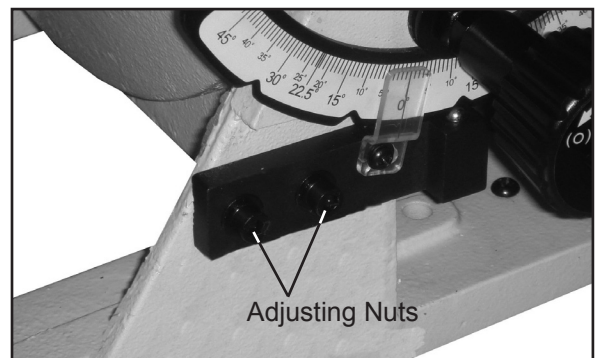


Fig. 03

**⚠ WARNING** THE MACHINE MUST NOT BE PLUGGED IN AND THE POWER SWITCH MUST BE IN THE OFF POSITION UNTIL ALL ADJUSTMENTS ARE COMPLETE.



**Warning:** To avoid jamming the workpiece or fingers between the table and sanding surface, the table edge should be a maximum of 1/16 inch from sanding surface.

3. Always maintain a gap of approximately 1/16” between the table edge, and disc. If adjustment is necessary loosen the four bolts (Fig. 04) and move the table into position.

4. Use a 1/16 inch drill bit as a spacer. Place the drill bit between the disc and the inside edge of the table. Hold the table against the 1/16 inch drill bit and tighten the four hex bolts. (See Fig. 05)

**⚠ WARNING** THE MACHINE MUST NOT BE PLUGGED IN AND THE POWER SWITCH MUST BE IN THE OFF POSITION UNTIL ALL ADJUSTMENTS ARE COMPLETE.

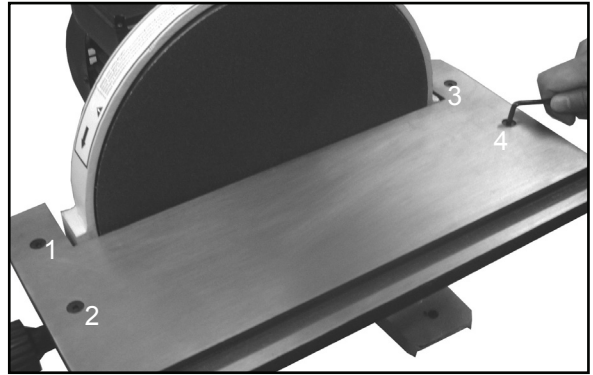


Fig. 04



Fig. 05

## OPERATION

### ON/OFF SWITCH

The On/Off Locking Switch needs to have the switch key inserted before the switch can be used (key located in parts bag). This feature prevents unauthorized use of the sander. (See Fig. 06)

**CAUTION:** Never walk away from sander when machine is running. Always lock the switch in the Off position and unplug from the power supply when not in use.

### DISC BRAKE

**Warning:** Never apply the disc brake with the switch in the “ON” position. Damage to the brake or disc may occur.

This 12” Disc Sander is equipped with a manual disc brake which can be applied by pressing down on brake lever (Fig. 07), after the switch has been turned off.



Fig. 06



Fig. 07

## OPERATION

**Warning:** Applying the workpiece to the right side of the disc could cause workpiece to fly up (kickback) and result in an injury.

Please take note of the disc rotation (counter clockwise) and only work on the left side of the disc where there is downward pressure of the work piece against the table. (See Fig. 08)

### BEVEL SANDING

The work table can be tilted from -45 to +45 degrees for bevel sanding. Loosen the table lock knob and tilt the worktable to desired angle as shown. Re-tighten table lock knob. (See Fig. 09)

**Warning:** To avoid jamming the workpiece or fingers between the table and sanding surface, the table should be repositioned on the table support to retain a maximum of 1/16" distance between sanding surface and table.

### SANDING SMALL SURFACES

Note: Use of a miter gauge is recommended for this operation.

Always move the work across left side of center on the sanding disc face as shown. (See Fig. 10)

**Warning:** Applying the workpiece to the right side of the disc could cause workpiece to fly up (kickback) and result in an injury.

### CHANGING THE SANDING DISC

The sandpaper disc can be removed with the table installed or with the table removed to give more working access to the disc, if needed.

1. Peel the used abrasive disc from the metal sanding disc plate. A putty knife and hair dryer may help in this process.
2. Make sure that the disc plate is clean of any residue. Mineral spirits will soften the PSA adhesives for its removal. Rotate the disc by hand may be necessary to get access to all of the disc surface.
3. Peel the protective backing from the new PSA

**WARNING** Before turning on the machine, review the safety precautions listed on pages 3 to 6. Make sure that you fully understand the features, adjustments and capabilities of the machine that are outlined throughout this manual.

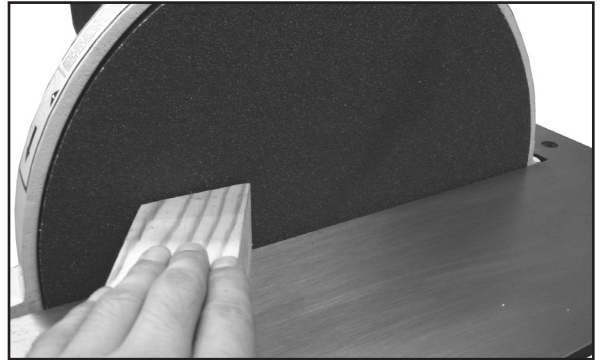


Fig. 08

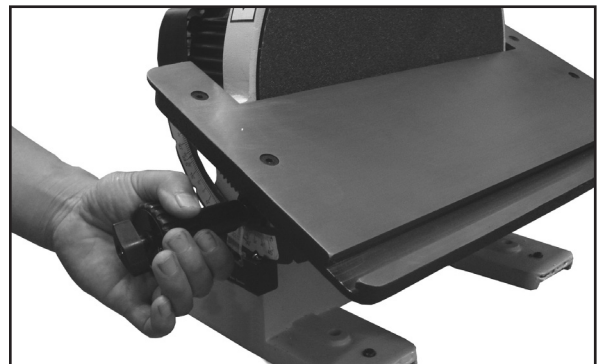


Fig. 09

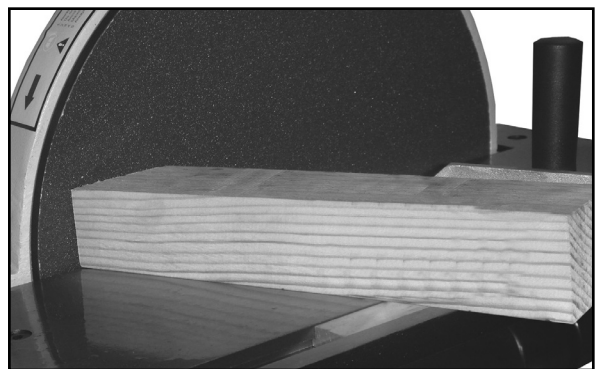


Fig. 10

12" abrasive sanding disc, then center and press the sanding disc firmly onto the disc plate.

4. Replace the sanding table if it was removed.

**NOTE:** Hook & Loop sanding discs cannot be used with this sander! Only 12" sanding discs with pressure sensitive adhesive (PSA) backing can be used.

## MAINTENANCE

**⚠ WARNING:** Turn the power switch “OFF” and disconnect the plug from the outlet prior to adjusting or maintaining the sander. DO NOT attempt to repair or maintain the electrical components of the motor. Take the sander to a qualified service technician for this type of maintenance.

### MAINTENANCE REQUIRED

- |  |  |
|--|--|
| <ol style="list-style-type: none"> <li>1. Check the power cord and plug for any damage.</li> <li>2. Check sanding disc for damage or wear.</li> <li>3. Check all guards and hardware to make sure they are secure.</li> <li>4. Check all moving parts for alignment and binding issues.</li> <li>4. Dress/Clean sanding surfaces for best abrasive action.</li> <li>5. Replace sanding disc when worn or damaged.</li> <li>6. Clean and vacuum dust from the motor housing and other sander parts.</li> <li>7. Keep iron tables free of rust. Apply coat of paste wax or silicon spray.</li> </ol> | <p><b>FREQUENCY</b></p> <p>Before each use.</p> <p>Before each use.</p> <p>Before each use.</p> <p>Before each use.</p> <p>As needed</p> <p>As needed.</p> <p>As needed.</p> <p>As needed.</p> |
|--|--|

**NOTE:** Lubrication of the bearings is not necessary, as they are sealed and pre-lubricated for life. Just replace a bearing if failure occurs. Do not use compressed air near bearings. Simply wipe the exposed bearing surfaces with a dry cloth to clean them.

**WARNING:** If blowing sawdust, wear proper eye protection to prevent debris from blowing into eyes.

**Service beyond recommended maintenance on these tools should only be performed by an authorized, qualified technician.**

## TROUBLESHOOTING

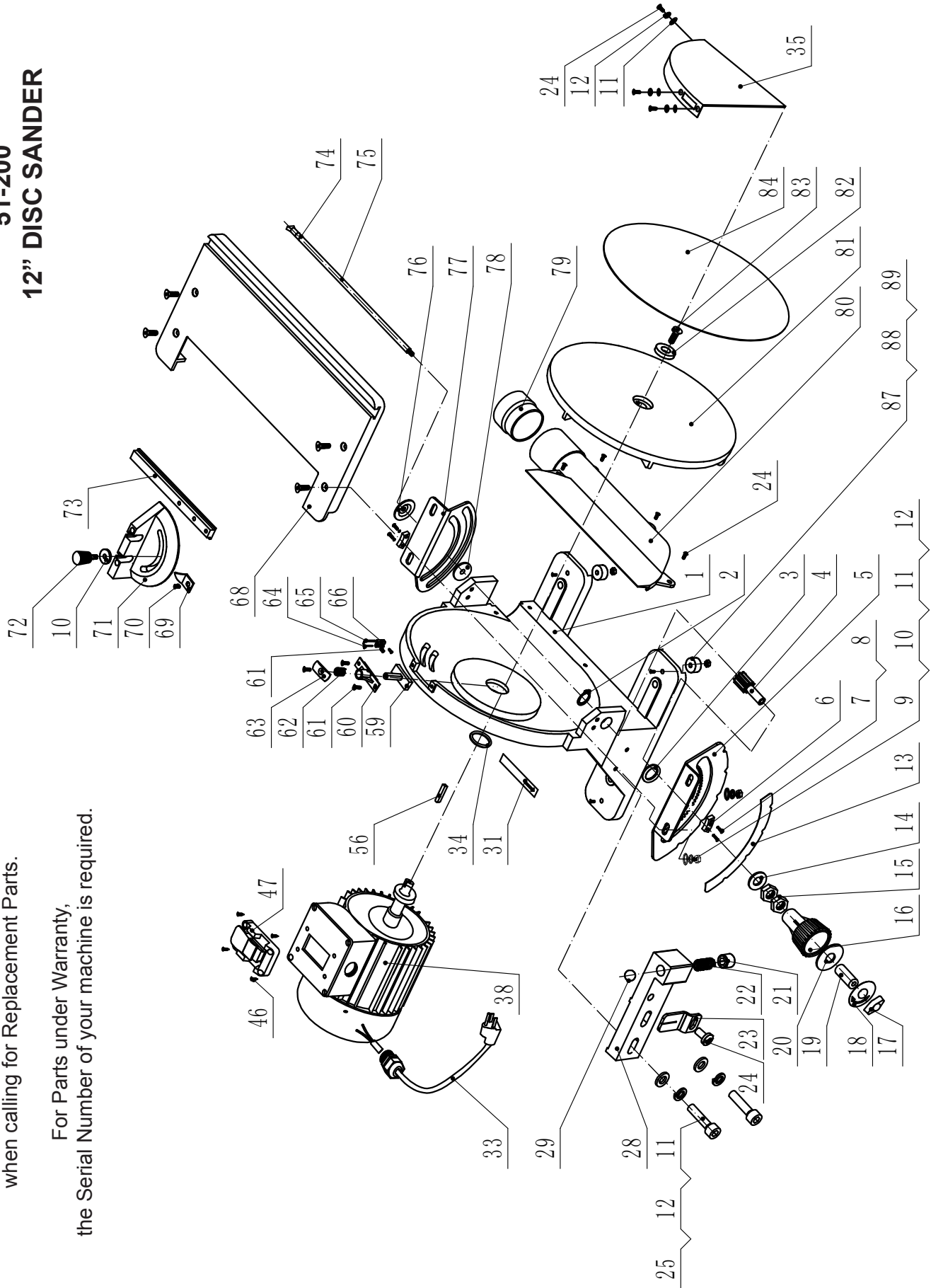
Trouble	Possible Cause	Solution
<b>Sander will not start</b>	<ol style="list-style-type: none"> <li>1. Sander unplugged from wall or motor</li> <li>2. Fuse blown or circuit breaker tripped</li> <li>3. Cord damaged</li> </ol>	<ol style="list-style-type: none"> <li>1. Check all plug connections</li> <li>2. Replace fuse or reset circuit breaker</li> <li>3. Replace cord</li> </ol>
<b>Sanding disc does not come up to speed</b>	<ol style="list-style-type: none"> <li>1. Extension cord too light or too long</li> <li>2. Low current</li> </ol>	<ol style="list-style-type: none"> <li>1. Replace with adequate size and length cord</li> <li>2. Contact a qualified electrician</li> </ol>
<b>Machine vibrates excessively</b>	<ol style="list-style-type: none"> <li>1. Stand or base on uneven surface</li> </ol>	<ol style="list-style-type: none"> <li>1. Adjust stand or base so that it rests evenly on the floor</li> <li>2. Bolt down</li> </ol>
<b>Sanded edge not square</b>	<ol style="list-style-type: none"> <li>1. Table not square to sanding disc</li> </ol>	<ol style="list-style-type: none"> <li>1. Use a square to adjust table to sanding disc</li> </ol>
<b>Sanding marks on wood</b>	<ol style="list-style-type: none"> <li>1. Work held still</li> <li>2. Wrong grit sanding disc</li> <li>3. Feed pressure too great</li> <li>4. Sanding against the grain</li> </ol>	<ol style="list-style-type: none"> <li>1. Keep workpiece moving</li> <li>2. Use coarser grit for stock removal and fine grit for finish sanding.</li> <li>3. Never force workpiece</li> <li>4. Sand with the grain</li> </ol>

# PARTS DIAGRAM

## 51-200 12" DISC SANDER

**NOTE:** Please reference the Key Number when calling for Replacement Parts.

For Parts under Warranty, the Serial Number of your machine is required.



# PARTS LIST

KEY NO.	DESCRIPTION	PART NO.	KEY NO.	DESCRIPTION	PART NO.
1	Base	1-JL63011001-076U	46	Tapping screw STD5X20	1-ST3D5X20GB845Z
2	Retaining ring	1-CLP17GB894D1B	47	Switch	1-HY18-32A
3	Washer	1-JL63020003	56	Key	1-PLN5X5X18GB1096
4	Gear shaft	1-JL63022001	59	Brake Assembly	1-JL63012100
5	Front trunnion	1-JL63021002	60	Brake bracket	1-JL63012001-001U
6	Guide block	1-JL63011003	61	Hex cnsk screw M4X8	1-M4X8GB70D3B
7	Hex socket cap screw M5X20	1-M5X20GB70B	62	Brake spring	1-JL63012002
8	Spring washer	1-WSH5GB93B	63	Brake lever	1-JL63012003-001S
9	Hex cnsk screw M6X20	1-M6X20GB70D3B	64	L wrench 2.5	1-WRN2D5GB5356B
10	Washer	1-WSH6GB96B	65	L wrench 4	1-WRN4GB5357B
11	Spring washer	1-WSH6GB93B	66	Tool holder	1-JL63011004
12	Hex nut M6	1-M6GB6170B	68	Nameplate	1-JL63021001-001U
13	Miter gauge	1-JL63070004	69	Table	1-JL60040004
14	Washer	1-WSH10GB96B	70	Pan head screw M5X6	1-M5X6GB818B
15	Hex nut	1-M10GB6170B	71	Miter gauge body	1-JL60040001-001S
16	Adjusting handle	1-JL63022002-001S	72	Lock knob	1-JL22062005-001S
17	Lock knob	1-JL63022005-001S	73	Guide block	1-JL63040001B
18	Lock label	1-RK63070005	74	O rubber ring	1-SLG3D15X1D8GB3452D1
19	Adjusting tube	1-JL63022004	75	Lock shaft	1-JL63020001
20	Handle cap	1-JL63022003	76	Washer	1-JL63020002
21	Set screw M10X8	1-M10X8GB77B	77	Rear trunnion	1-JL63021003
22	Spring	1-JL63010002	78	Washer	1-WSH6GB96B
23	Pointer	1-JL63010004	79	Dust port	1-JL63010006-001S
24	Pan head screw M5X10	1-M5X10GB818B	80	Plastic shield	1-JL63010005-001S
25	Hex socket cap screw M6X25	1-M6X25GB70B	81	Disc body	1-JL63010007
28	Mounting base	1-JL63010001-001T	82	Washer	1-JL63010008
29	Ball 8mm	1-JL63010003	83	Hex cnsk screw M6X16	1-M6X16GB70D3B
31	Warning label	1-RK63070002	84	Sand paper	1-JL63010009
33	Cable	2-U23182300-413	87	Pan head screw M6X16	1-M6X16GB818B
34	Washer	1-WSH30JB7590B	88	Rubber gasket	1-JL63011002
35	Disc guard	1-JL63011008A-105S	89	Nut	1-M6GB6172B
38	Motor	1-JL63030000/120V-001T			





# RIKON

## POWER TOOLS

### 5-Year Limited Warranty

RIKON Power Tools Inc. ("Seller") warrants to only the original retail consumer/purchaser of our products that each product be free from defects in materials and workmanship for a period of five (5) years from the date the product was purchased at retail. This warranty may not be transferred.

This warranty does not apply to defects due directly or indirectly to misuse, abuse, negligence, accidents, repairs, alterations, lack of maintenance or normal wear and tear. Under no circumstances will Seller be liable for incidental or consequential damages resulting from defective products. All other warranties, expressed or implied, whether of merchantability, fitness for purpose, or otherwise are expressly disclaimed by Seller. This warranty does not cover products used for commercial, industrial or educational purposes.

This limited warranty does not apply to accessory items such as blades, drill bits, sanding discs, grinding wheels, belts, ball bearings and other related items.

Seller shall in no event be liable for death, injuries to persons or property, or for incidental, contingent, special, or consequential damages arising from the use of our products.

To take advantage of this warranty, proof of purchase documentation must be provided which has the date of purchase and an explanation of the complaint.

The Seller reserves the right to effect at any time, without prior notice, those alterations to parts, fittings, and accessory equipment which they may deem necessary for any reason whatsoever.

To take advantage of this warranty, please fill out the enclosed warranty card and send it to:

RIKON Warranty  
16 Progress Rd.  
Billerica, MA 01821

The card must be entirely completed in order for it to be valid. If you have any questions please contact us at 877-884-5167 or [warranty@rikontools.com](mailto:warranty@rikontools.com).



**For more information:  
16 Progress Road  
Billerica, MA 01821**

**877-884-5167 / 978-528-5380  
techsupport@rikontools.com**

