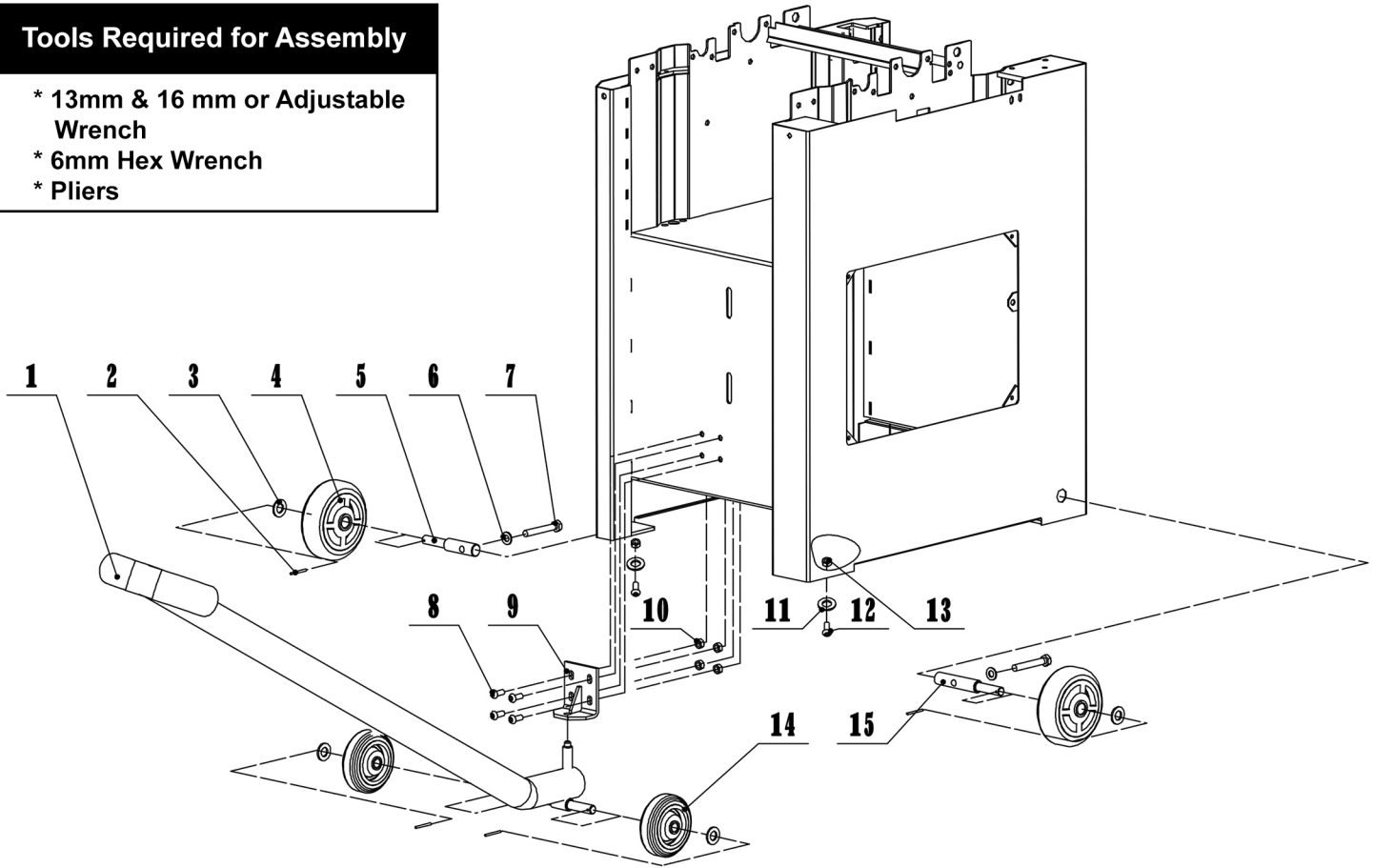


MOBILITY KIT ASSEMBLY DIAGRAM FOR 25-210 & 25-210H SERIES PLANER / JOINTER

Tools Required for Assembly

- * 13mm & 16 mm or Adjustable Wrench
- * 6mm Hex Wrench
- * Pliers



KEY NO.	DESCRIPTION	QTY.	PART NO.
1	Tow Bar Assembly	1	JL26092000
2	Split Cotter Pin (3x35)	4	PIN3X35GB91Z
3	Big Washer	4	WSH16GB96Z
4	5-1/2" Wheel	2	JL43100001
5	Short Wheel Shaft	1	JL43100003
6	Flat Washer	2	WSH14GB97D1Z
7	Screw	2	M10X40GB70D2B
8	Screw	4	M8X20GB70D2B
9	Support Bracket	1	JL43100007
10	Flange Plate Nut	4	M8GB6177D1Z
11	Base Plate	2	JL43100006
12	Screw	2	M10X25GB70D3Z
13	Flange Plate Nut	2	M10GB6177D1Z
14	4" Wheel	2	JL26090003
15	Long Wheel Shaft	1	JL43100002

Wheel Dimensions:

Wheels on Bar Diameter: 4"

Rear Wheels Diameter: 5-1/2"

Inner Hole Diameter on all Wheels: 5/8"



California Prop 65 Warning

WARNING: This product contains chemicals known to the State of California to cause cancer and birth defects or other reproductive harm.