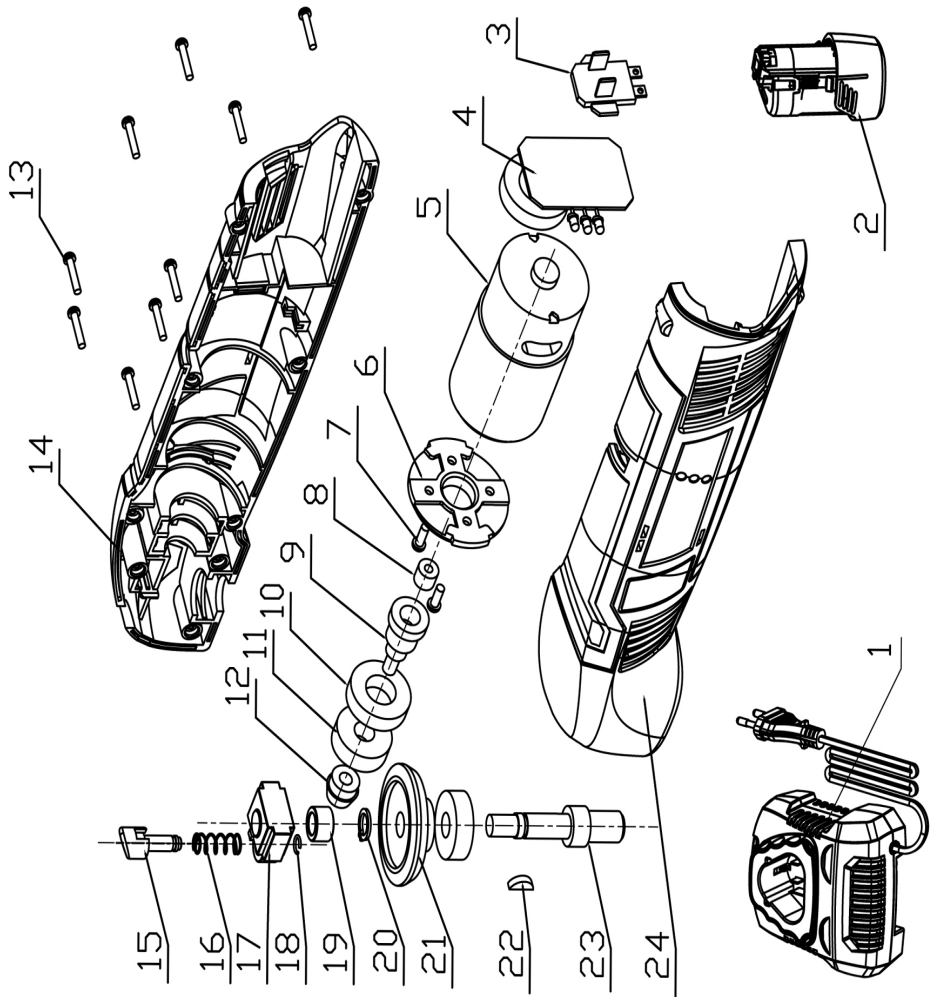


PARTS DIAGRAM

31-200 12V Sander/Polisher



PARTS LIST

KEY NO.	DESCRIPTION	QTY	MFG. PART NO.
1	Charger	1	P31-200-1
2	Battery	1	P31-200-2
3	Main Connection Bracket	1	P31-200-3
4	Speed Control Board	1	P31-200-4
5	Motor	1	P31-200-5
6	Motor Bracket	1	P31-200-6
7	Screw & Ring	2	P31-200-7
8	Motor Gear	1	P31-200-8
9	Spline Housing	6	P31-200-9
10	Bearing	1	P31-200-10
11	Bearing	1	P31-200-11
12	Small Gear	1	P31-200-12
13	Screw	9	P31-200-13
14	Right Housing	1	P31-200-14
15	Lock Button	1	P31-200-15
16	Spring Lock	1	P31-200-16
17	Bearing	1	P31-200-17
18	Circlip	1	P31-200-18
19	Needle Roller Bearing	1	P31-200-19
20	Shaft with Collar	1	P31-200-20
21	Big Gear	1	P31-200-21
22	Woodruff Key	1	P31-200-22
23	Washer	1	P31-200-23
24	Left Housing	1	P31-200-24

NOTE: Please reference the Manufacturer's Part Number when calling for Replacement Parts.

For Parts under Warranty, proof and date of purchase are required.