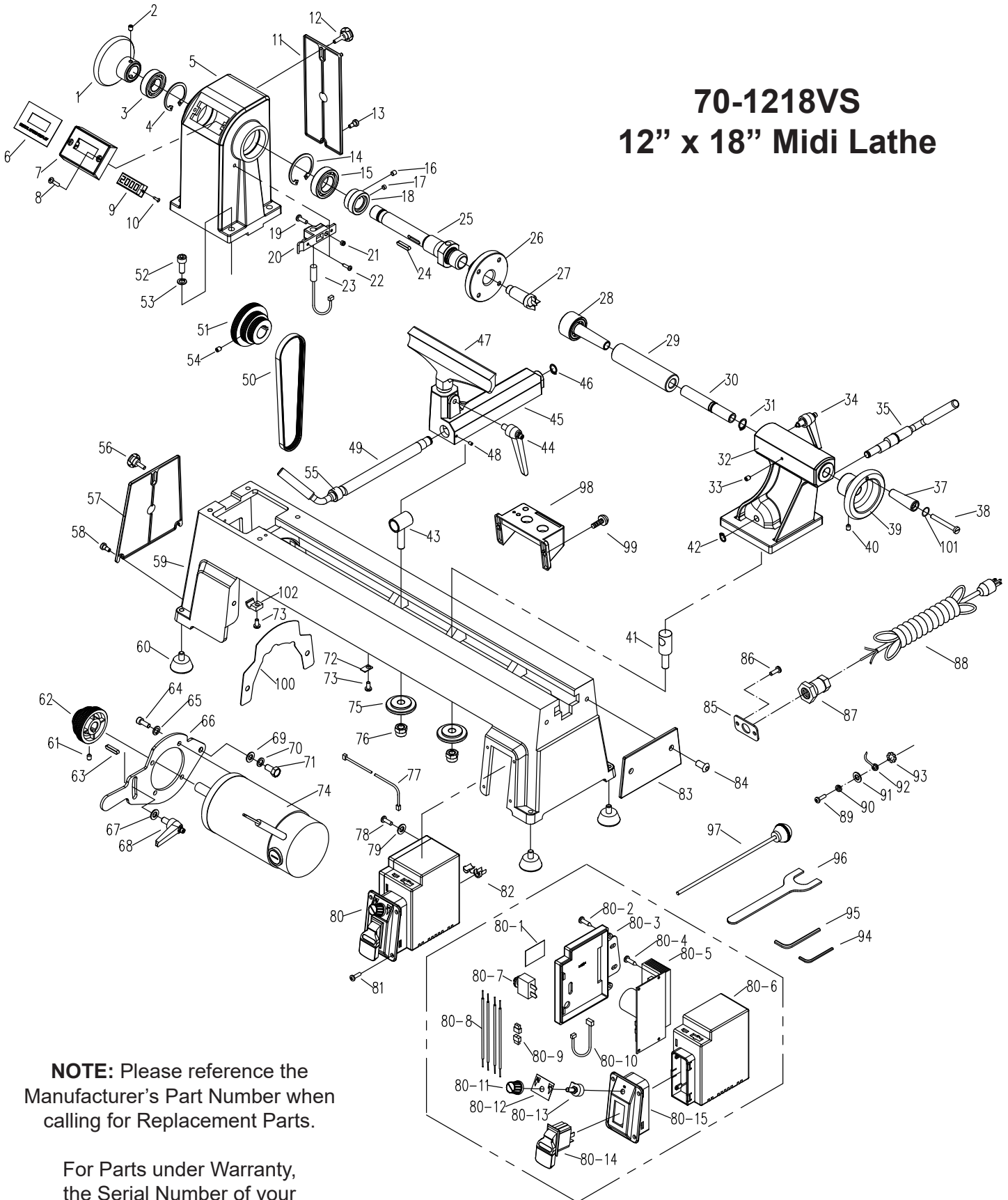


# PARTS DIAGRAM

## 70-1218VS 12" x 18" Midi Lathe



**NOTE:** Please reference the Manufacturer's Part Number when calling for Replacement Parts.

For Parts under Warranty, the Serial Number of your machine is required.